

RESISTIVE LEVEL SENSOR 130° RANGE

- 200/0° CYLINDRICAL
- 230/0° CYLINDRICAL
- 244/0° CYLINDRICAL
- 270/0° CYLINDRICAL
- 300/0° CYLINDRICAL
- 315/0° CYLINDRICAL
- 360/0° CYLINDRICAL
- 200/30° CYLINDRICAL
- 230/30° CYLINDRICAL
- 244/30° CYLINDRICAL
- 270/30° CYLINDRICAL
- 300/30° CYLINDRICAL
- 315/30° CYLINDRICAL
- 360/30° CYLINDRICAL
- 200/90° CYLINDRICAL
- 230/90° CYLINDRICAL
- 244/90° CYLINDRICAL
- 270/90° CYLINDRICAL
- 300/90° CYLINDRICAL
- 315/90° CYLINDRICAL
- 360/90° CYLINDRICAL
- 200 RING-SHAPED 30°
- 220 RING-SHAPED 30°
- 225X580, 230X600 RING-SHAPED 30°
- 225X630 RING-SHAPED 30°
- 240 RING-SHAPED 30°
- 250 RING-SHAPED 30°
- 270X600 RING-SHAPED 30°
- 270X650 RING-SHAPED 30°

RESISTIVE LEVEL SENSOR 105° RANGE

- 400/30° CYLINDRICAL
- 180 RING-SHAPED 30°
- 190 RING-SHAPED 30°
- 204 RING-SHAPED 30°

RESISTIVE LEVEL SENSOR 70° RANGE

- 180 RING-SHAPED 0°
- 190 RING-SHAPED 0°
- 190X630 RING-SHAPED 0°
- 200, 204 RING-SHAPED 0°
- 220 RING-SHAPED 0°
- 225 RING-SHAPED 0°
- 230 RING-SHAPED 0°
- 240 RING-SHAPED 0°
- 250 RING-SHAPED 0°
- 270 RING-SHAPED 0°

INSTRUCTIONS FOR REPLACING AND ADJUSTING THE 0 - 90 ohm RESISTIVE LEVEL SENSOR FOR THE EUROPA MULTIVALVE

Instr. dd. 20.05.04 - In place of Instr. dd. 16.05.01

Install the ECU for the 0 - 90 ohm Resistive Level Sensor, by following the instructions contained in the box.

Install the cable connecting the multivalve to the ECU.

Remove the original Resistive Sensor from the multivalve by acting on the two fixing screws.

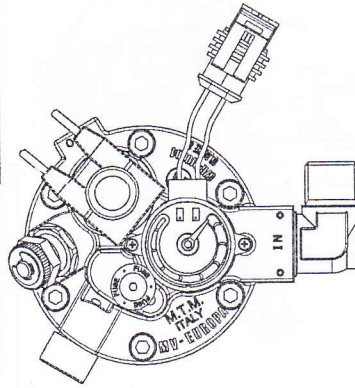
Position the supplied Resistive Sensor by fixing it to the Europa Multivalve with the two screws previously removed.

Connect the cable to the sensor connector.

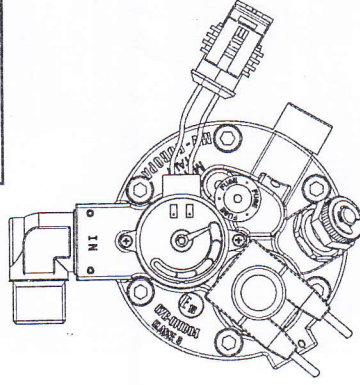
Verify, by acting from the outside with a magnet, that the pointer freely turns between "0" and "4/4".

In case, "Adjust the level indicator" as per the instructions of the ECU installed on the vehicle.

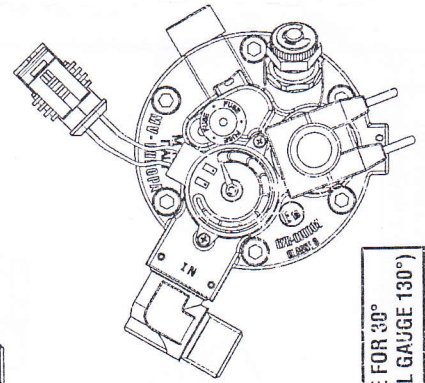
EUROPA MULTIVALVE FOR 30° CYLINDRICAL TANK



EUROPA MULTIVALVE FOR 0° RING-SHAPED TANK



EUROPA MULTIVALVE FOR 30° RING-SHAPED TANK (LEVEL GAUGE 130°)



EUROPA MULTIVALVE FOR 0° RING-SHAPED TANK (LEVEL GAUGE 105°)

